

Product Description:

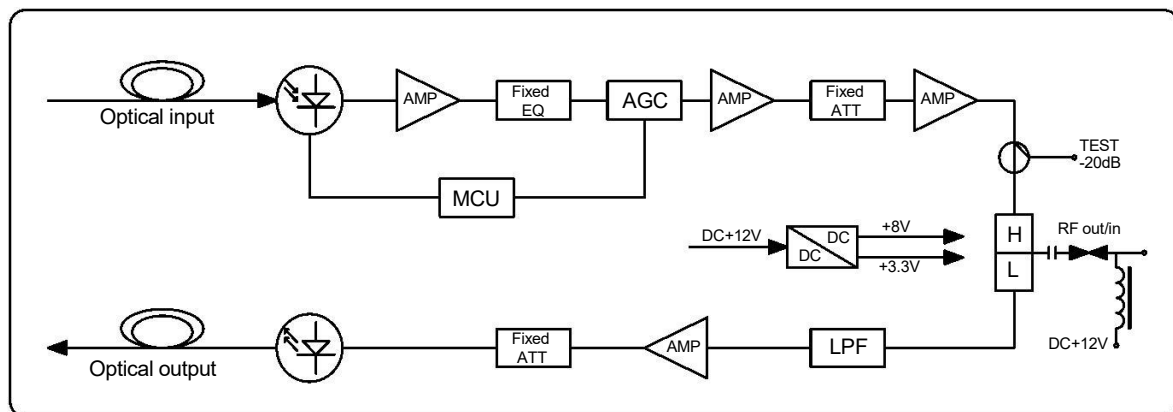
The RFoG Mini Node is a small home optical node specially developed for cable TV operators using the DOCSIS protocol standard, to provide users with two-way, interactive TV and network services. Compared with other two-way optical nodes, this series of products has the characteristics of small size, flexible networking and high cost performance.



FEATURES :

- 1) Designed for DOCSIS network
- 2) Forward 1260-1550nm input power: -9~+3dBm, forward AGC Range: -6~+2dBm
- 3) Forward frequency: 54~1002MHz, EQ 3±1.5dB, RF output level: 73dBuV
- 4) Reverse 1610nm output Power: 2mW
- 5) Reverse frequency: 5~42MHz, RF input level: 75~112dBuV
- 6) LED on the housing for forward optical power, reverse optical power and 1V/ mW forward optical power
- 7) With -20dB RF output test port
- 8) Power consumption <3W
- 9) Compact Aluminium cast housing, perfect heat dissipation
- 10) Fully Compatible with SCTE Standards

Block Diagram:



Characteristics :

No.	Item	Unit	Specification
Optical Specification			
1	Receiving Wavelength	nm	1260-1550 ± 10nm
2	Transmitting Wavelength	nm	1610 ± 10nm
Forward Optical Specification			
1	Wavelength	nm	1260-1550 ± 10nm
2	Optical Power	dBm	-9 - +3
3	Optical AGC Range	dBm	-6 - +2
4	Optical LED		≥ -9dBm Green LED on ≤ -9dBm Red LED on
Forward RF Specification			
1	Bandwidth	MHz	54 - 1002
2	Flatness	dB	≤ ±1
3	Return Loss	dB	≤ -14

4	Slope	dB	3±1.5	
5	Output Level	dBmV	13±1.5	@130MHz
6	C/N	dB	≥48	①@Pin=-5dBm
7	C/CTB	dB	≥65	②@Pin=0dBm
8	C/CSO	dB	≥62	③@Pin=0dBm
9	Output Impedance	Ω	75	

Reverse Optical Specification

1	Wavelength	nm	1610	
2	Optical Output Power	mW	2.5±0.5mW	
3	Laser Type		DFB	
4	Laser Operation Mode		Burst Mode	
5	RF ON Threshold	dBmV	16±1.5	
6	RF OFF Threshold	dBmV	1±1.5	
7	Time Delay On	us	≤1.3	
8	Time Delay Off	us	≤1.6	

ReverseRF Specification

1	Bandwidth	MHz	5—42	
2	Flatness	dB	≤±1	
3	Return Loss	dB	≤-14	
5	Input Level Range	dBuV	75—112	
6	NPR Dynamic Range	dB	20 (@NPR≥30dB)	

Other Specification

1	Input Voltage of Power Adaptor	VAC	100—240	
---	--------------------------------	-----	---------	--

2	Input Frequency of Power Adaptor	Hz	47–63
3	Cabel Length of Power Adaptor	cm	–
3	Input Voltage of Device	VDC	12
4	Power Consumption	W	<3
5	Working Temperature	°C	-10–+50
6	Working Humidity	%RH	0–85
7	Fiber Connector		SC/APC
8	RF Connector		F-type imperial connector
9	Surge Protection	KV	4
10	Dimension (L*W*H)	mm	180×85×40

Note:

- ①、 PAL-D 60 channels flat; measured at 543.25 MHz;Optical power receiving at -5dBm
- ②、 PAL-D 60 channels flat; measured at 543.25 MHz;Optical power receiving at 0dBm
- ③、 PAL-D 60 channels flat; measured at 543.25 MHz;Optical power receiving at 0dBm